

# FELSA

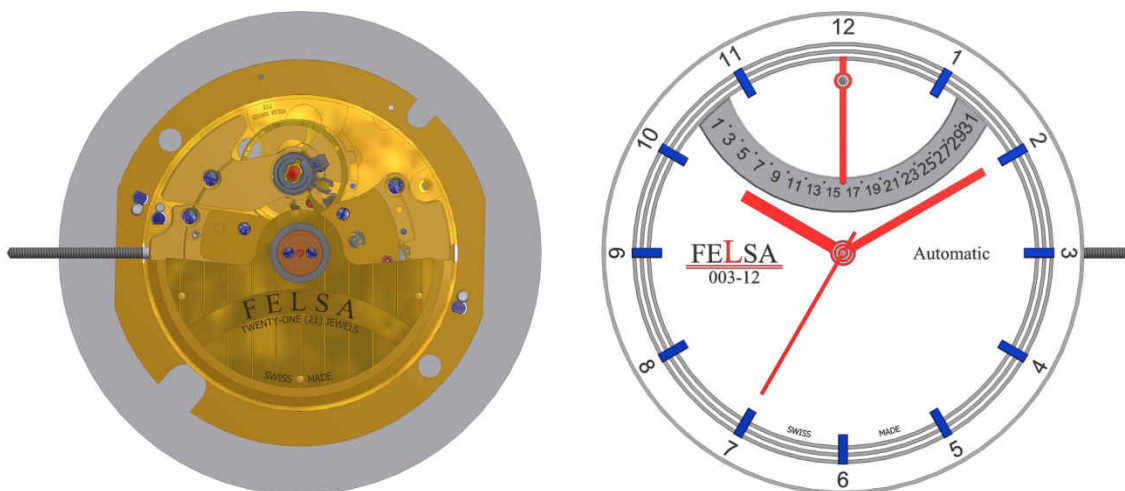
---

## SWISS S.A.

Fabrique d'Ebauches Leschot S.A.

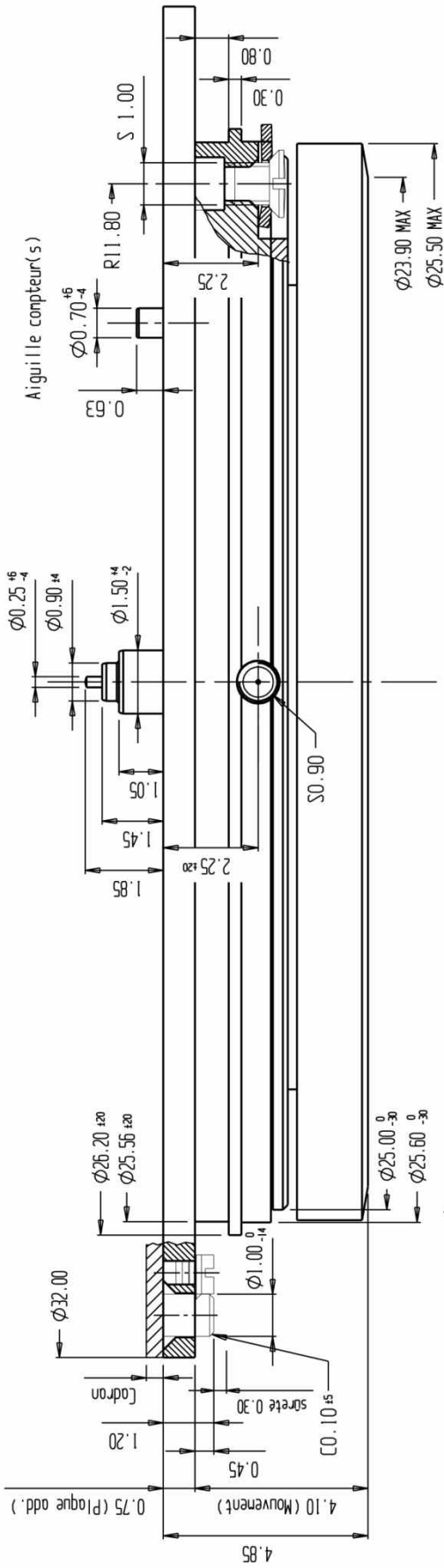
### **CAL. 715.003-12** AUTOMATIC, DATE RETROGRADE 21 JEWELS – SWISS MADE

Lever movement, sweep second with self-winding mechanism, jewel bearing, date retrograde indicator, date rapid corrector, frequency 4 Hz (28'800 A/h 'vibrations per hour').



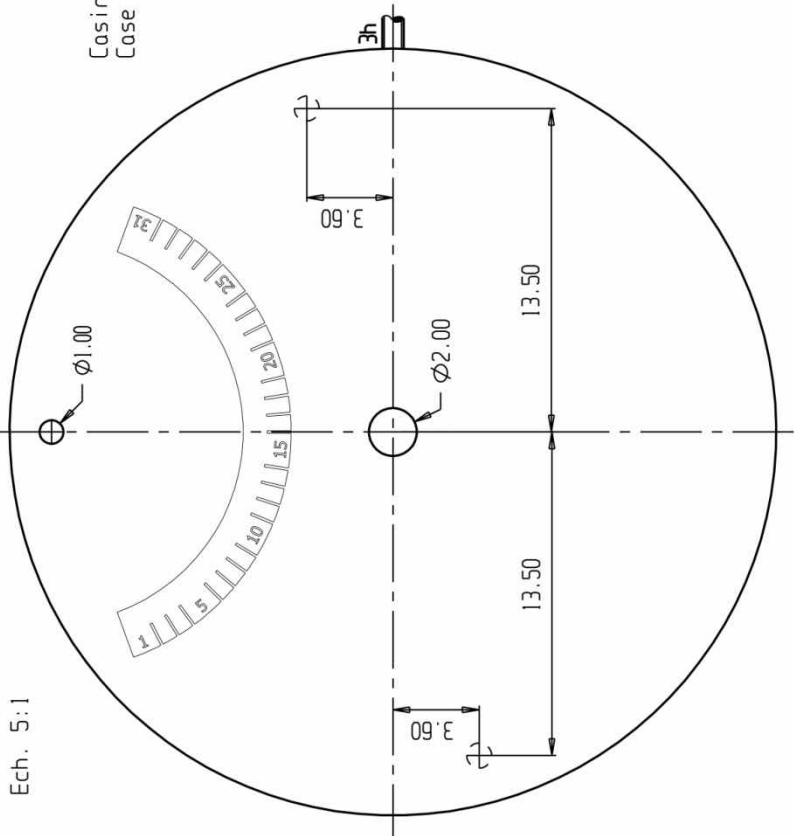
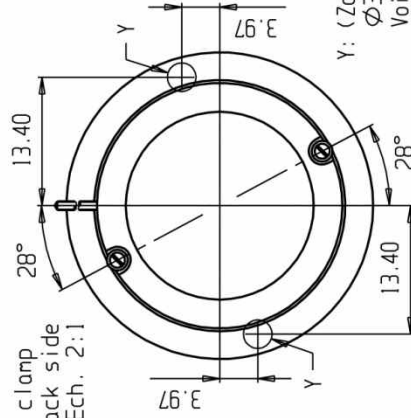
### **TECHNICAL SPECIFICATIONS**

1. Outside Diameter	: 32.00 mm
2. Casing Diameter	: 25.60 mm
3. Stem height / Thickness	: 2.25 mm / 4.85 mm
4. Frequency	: 4Hz; 28'800 beats per hour
5. Power Reserver	: mini. 42 hours
6. Accuracy	: -5 /+20 sec per day
7. Jewels	: 21
8. Shock absorbing devices	: 2
9. Amplitude	: T24 mini. 200°
10. Winding / Settings 3 positions	: 1) winding; 2) date rapid corrector; 3) time setting

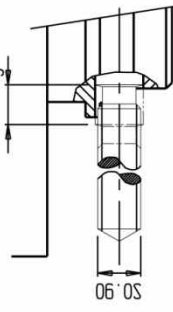


Ech. 5:1

Casing clamp  
Case back side  
Ech. 2:1



Stem travel length -0.80



CORRECTIONS		Matière et traitement :		Echelle		Nb. Pc.	
No	DECISIONS/DATE	VISA		10:1		1	
01	Détail pied cadran	K.R.		COTES EN MILLIMETRES			
				TOLERANCES EN MICRONS			
DIVERS : Tol.générale ± 10				CAL	DATE	VISA	
				715	07.12.16	K.R.	
				PIECE	NO/PART	NO EXEC	CODEF
				71590HAB	01	71590000	03
Cage pour boite Frame for case 11 1/2" / Ø32mm							
PLAN/DWG CK/Edité				F E I L S A			
71590HAB				Fabrique d'Ebauches Leschat S.A.			