

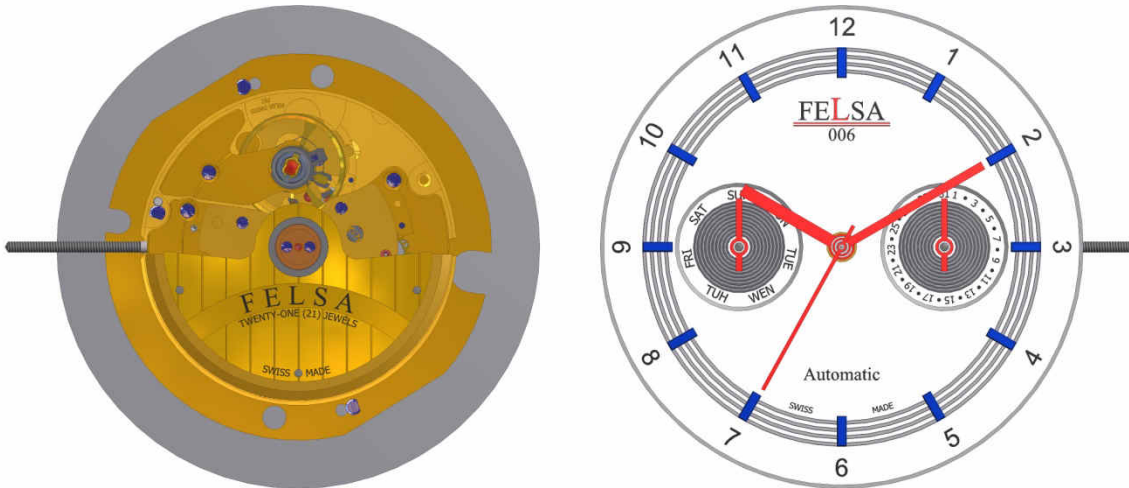
FELSA

SWISS S.A.

Fabrique d'Ebauches Leschot S.A.

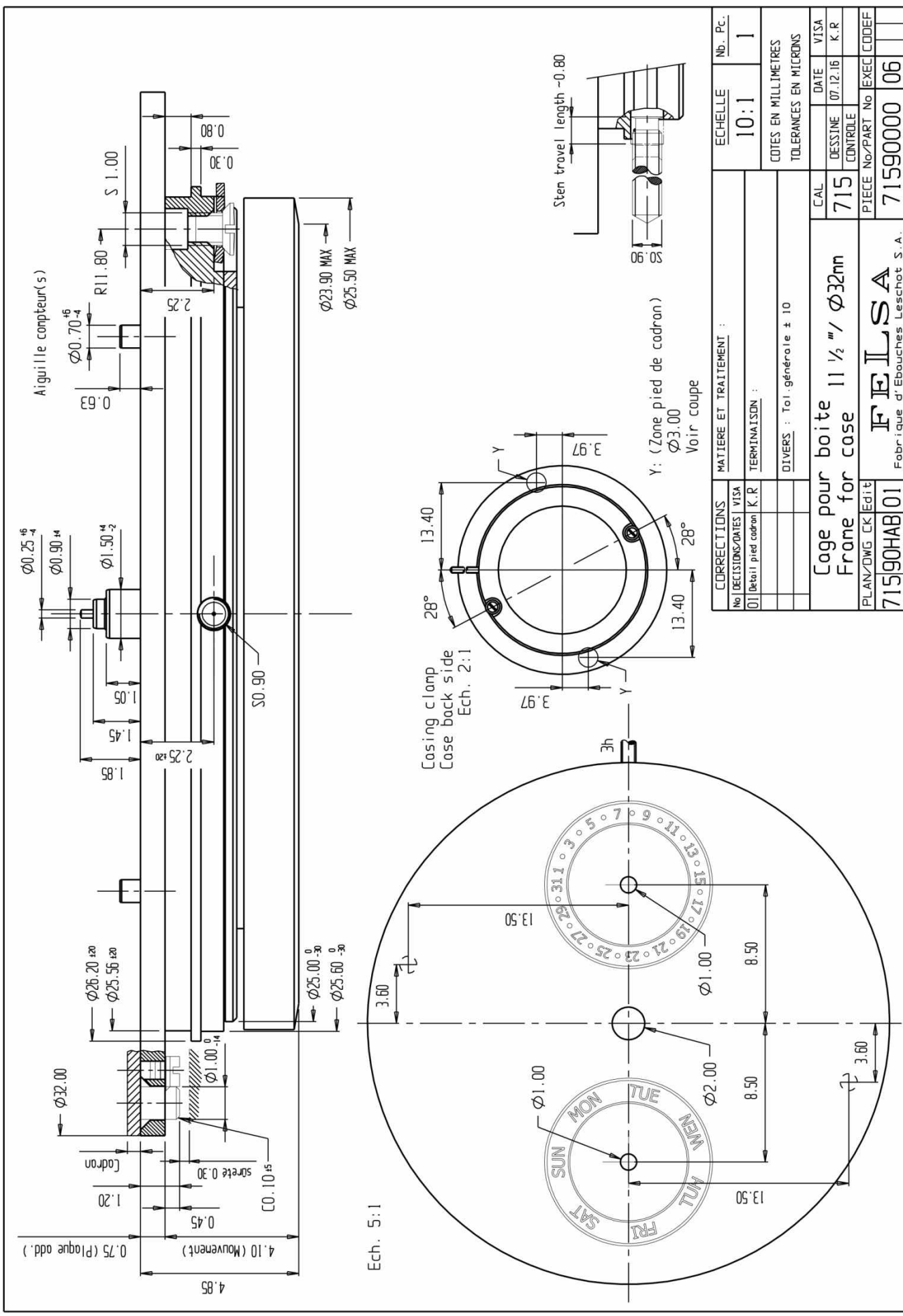
CAL. 715.006
AUTOMATIC, DAY AND DATE
21 JEWELS – SWISS MADE

Lever movement, sweep second with self-winding mechanism, jewel bearing, day and date indicator, frequency 4 Hz (28'800 A/h 'vibrations per hour').



TECHNICAL SPECIFICATIONS

1. Outside Diameter	: 32.00 mm
2. Casing Diameter	: 25.60 mm
3. Stem height / Thickness	: 2.25 mm / 4.85 mm
4. Frequency	: 4Hz; 28'800 beats per hour
5. Power Reserver	: mini. 42 hours
6. Accuracy	: -5 /+20 sec per day
7. Jewels	: 21
8. Shock absorbing devices	: 2
9. Amplitude	: T24 mini. 200°
10. Winding / Settings 2 positions	: 1) winding; 2) time setting



CORRECTIONS		MATIERE ET TRAITEMENT :		ECHELLE		Nb. Pc.	
No	DECISIONS/DATE	VISA		10:1		1	
01	betonil pied codron	K.R		COTES EN MILLIMETRES			
TERMINAISON :				TOLERANCES EN MICRONS			
DIVERS : Toi générale ± 10				CAL		DATE	
				715		07.12.16	
				715		K.R	
				PIECE No/PART No		EXEC	
				71590HAB01		CODEF	
				71590HAB01		06	

**Cage pour boite
 Frane for case**

11 1/2" / Ø32mm

FIELSA
 Fabrique d'Ebauches Leschat S.A.