

FELSA

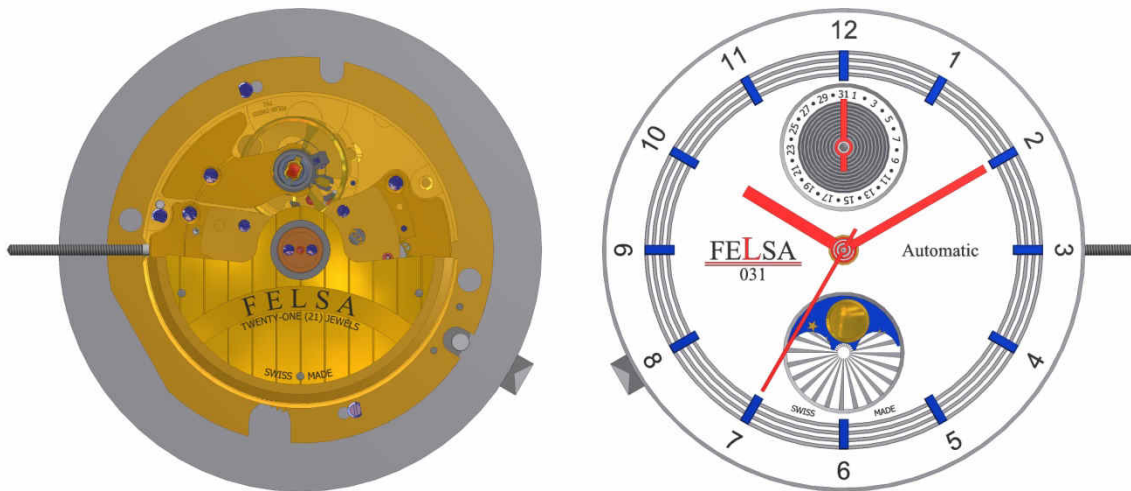
SWISS S.A.

Fabrique d'Ebauches Leschot S.A.

CAL. 715.031

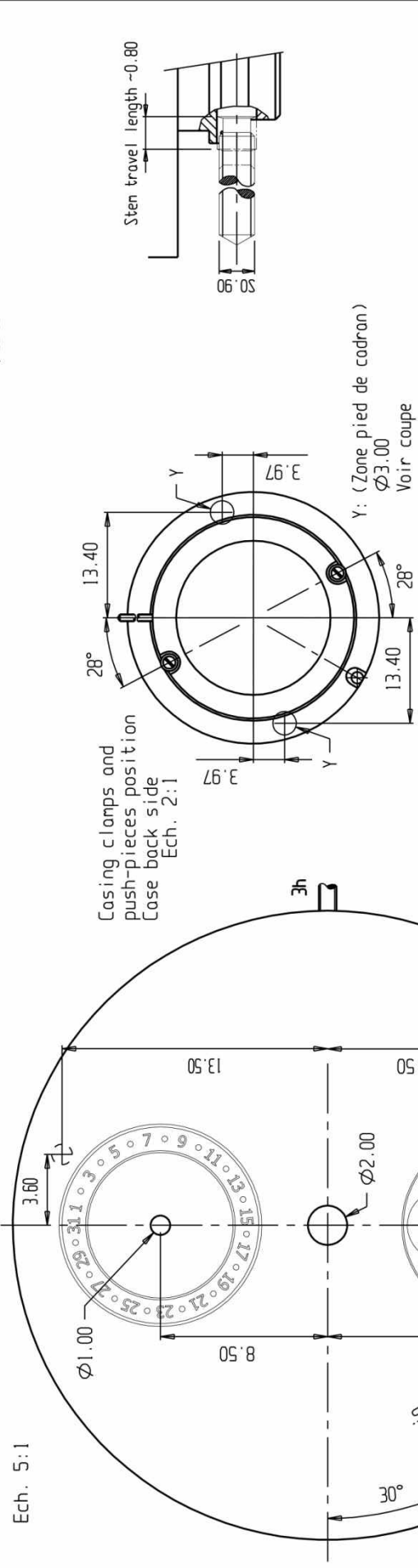
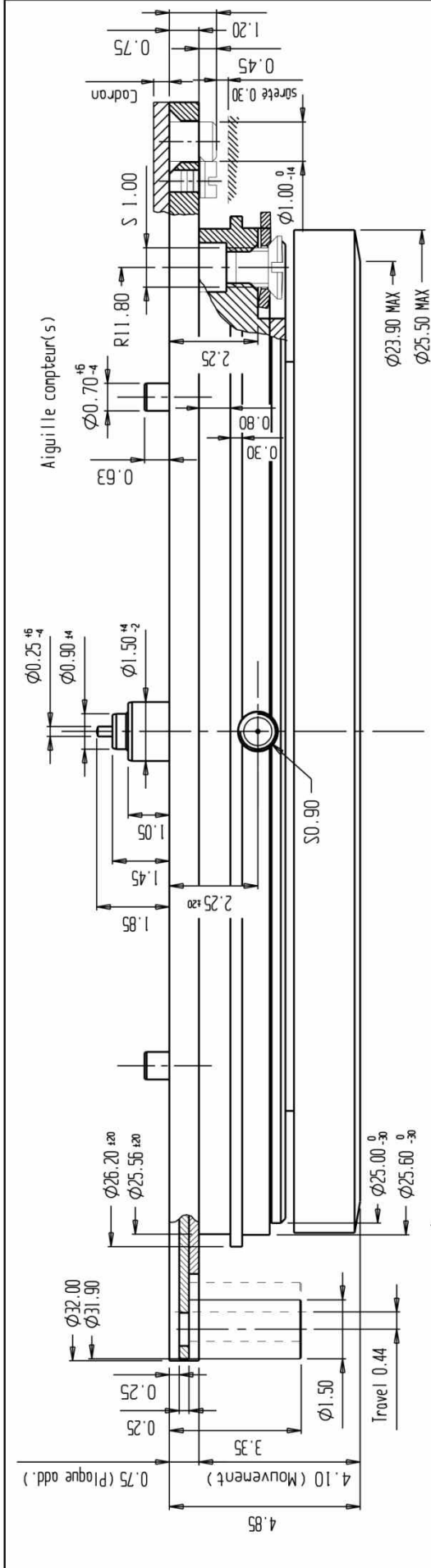
**AUTOMATIC, DATE, MOON
21 JEWELS – SWISS MADE**

**Lever movement, sweep second with self-winding mechanism, jewel bearing,
date and moon indicator, frequency 4 Hz
(28'800 A/h 'vibrations per hour').**



TECHNICAL SPECIFICATIONS

| | |
|------------------------------------|-------------------------------|
| 1. Outside Diameter | : 32.00 mm |
| 2. Casing Diameter | : 25.60 mm |
| 3. Stem height / Thickness | : 2.25 mm / 4.85 mm |
| 4. Frequency | : 4Hz; 28'800 beats per hour |
| 5. Power Reserver | : mini. 42 hours |
| 6. Accuracy | : -5 /+20 sec per day |
| 7. Jewels | : 21 |
| 8. Shock absorbing devices | : 2 |
| 9. Amplitude | : T24 mini. 200° |
| 10. Winding / Settings 2 positions | : 1) winding; 2) time setting |



| CORRECTIONS | | Matière et traitement : | | Echelle | | Nb. Pc. | |
|---------------------------------|--------------------|-------------------------|----------------------------|-----------------------|----------|---------|--|
| No | DECISIONS/DATE | VISA | | 10:1 | 1 | | |
| 01 | Cote h. correcteur | K.R | TERMINAISON : | COTES EN MILLIMETRES | | | |
| 02 | Détail pied codron | K.R | DIVERS : Tol.générale ± 10 | TOLERANCES EN MICRONS | | | |
| Cage pour boite 11 1/2" / Ø32mm | | | | CAL | DATE | VISA | |
| Frame for case | | | | 715 | 26.09.16 | K.R | |
| PLAN/DWG CK/Edi | | | | PIECE No/PART No | EXEC | CODEF | |
| 71590HAB01 | | | | 71590000 | | 31 | |

FIELSA
Fabrique d'Ebauches Leschat S.A.