

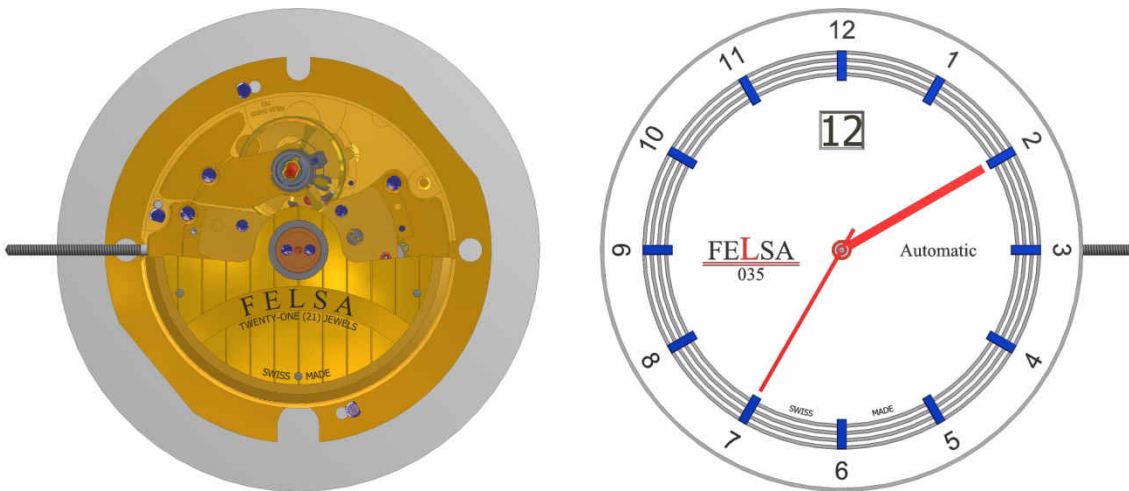
FELSA

SWISS S.A.

Fabrique d'Ebauches Leschot S.A.

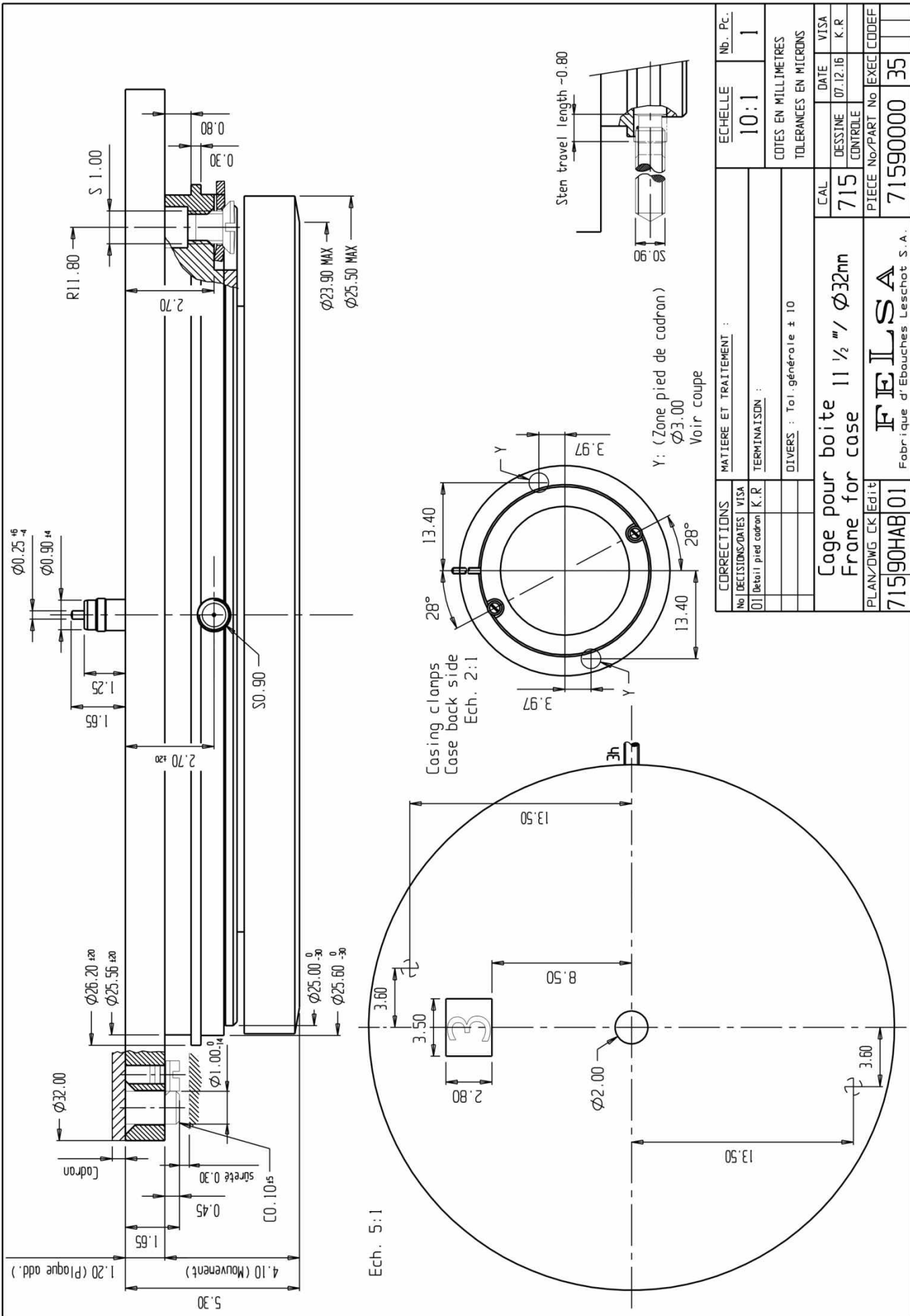
CAL. 715.035
AUTOMATIC, JUMP HOUR
21 JEWELS – SWISS MADE

Lever movement, sweep second with self-winding mechanism, jewel bearing, jump hour, frequency 4 Hz (28'800 A/h 'vibrations per hour').



TECHNICAL SPECIFICATIONS

1. Outside Diameter	: 32.00 mm
2. Casing Diameter	: 25.60 mm
3. Stem height / Thickness	: 2.70 mm / 5.30 mm
4. Frequency	: 4Hz; 28'800 beats per hour
5. Power Reserver	: mini. 42 hours
6. Accuracy	: -5 /+20 sec per day
7. Jewels	: 21
8. Shock absorbing devices	: 2
9. Amplitude	: T24 mini. 200°
10. Winding / Settings 2 positions	: 1) winding; 2) time setting



CORRECTIONS		MATIERE ET TRAITEMENT :		ECHELLE	Nb. P.C.
No	DECISIONS/DATE	VISA	TERMINAISON :	10:1	1
01		beton / pied cadron			
		K.R	DIVERS : Tot.générale ± 10	COTES EN MILLIMETRES TOLERANCES EN MICRONS	
PLAN/DWG	CK	Edit		CAL	DATE
71590HAB	01			715	07.12.16
Cage pour boite				CONTROL	K.R
Frane for case				PIECE No/PART No	EXEC
					CODEF
				71590000	35

F.F. I.L.S.A
Fabrique d'Ebauchés Leschat S.A.