

# FELSA

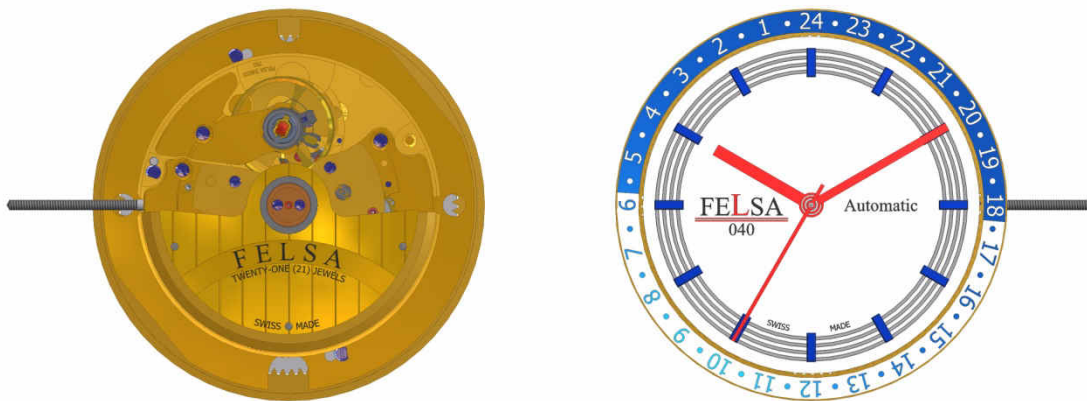
---

## SWISS S.A.

Fabrique d'Ebauches Leschot S.A.

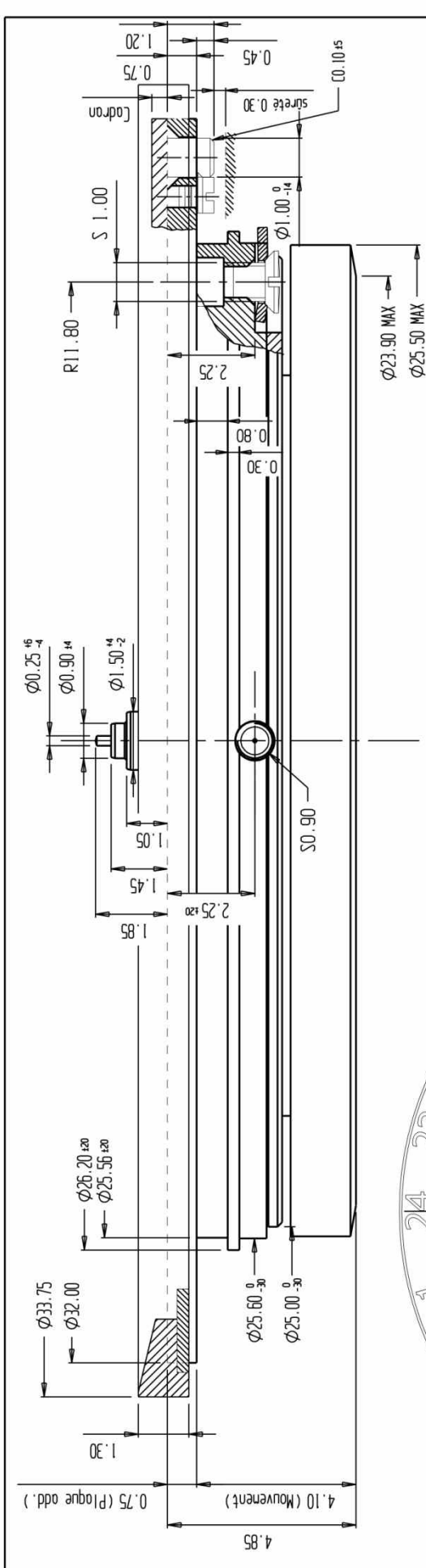
**CAL. 715.040**  
**AUTOMATIC, UNIVERSAL TIME**  
**21 JEWELS – SWISS MADE**

Lever movement, sweep second with self-winding mechanism, jewel bearing, universal time indicator, frequency 4 Hz (28'800 A/h 'vibrations per hour').

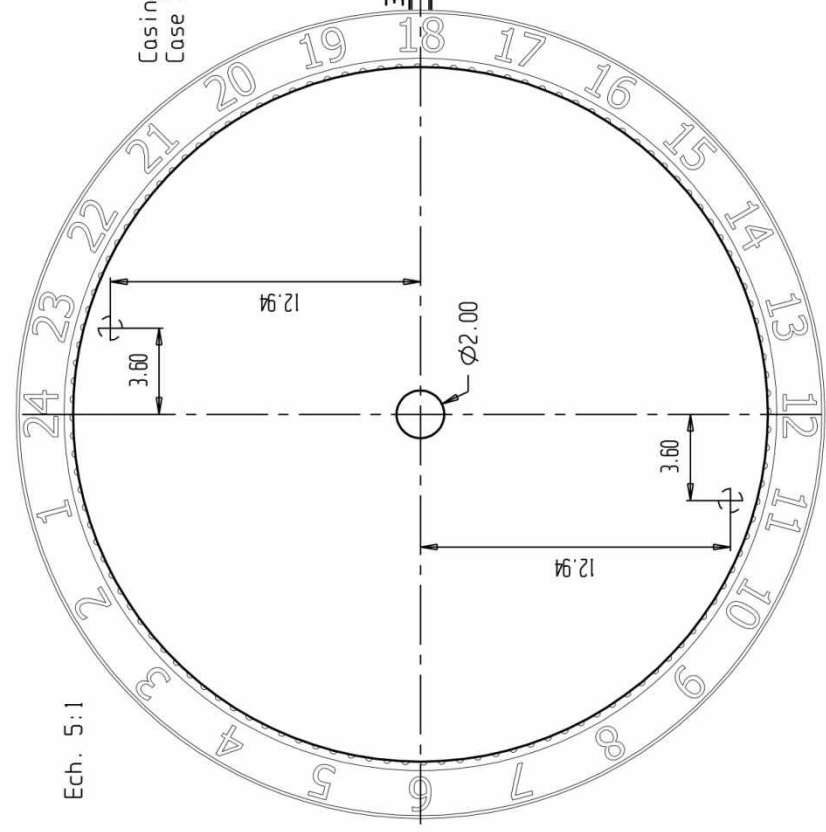
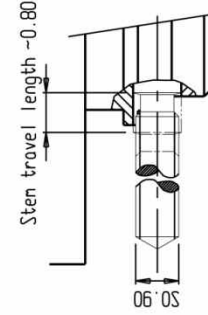
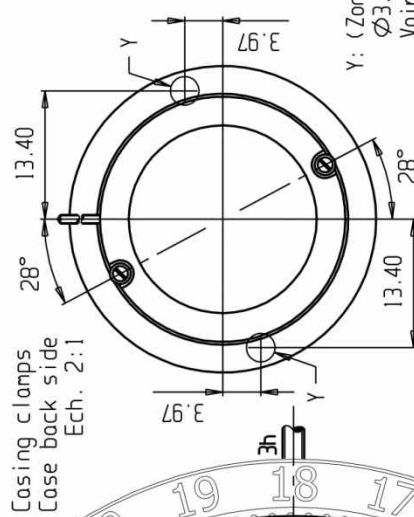


### **TECHNICAL SPECIFICATIONS**

1. Outside Diameter	: 32.00 mm
2. Casing Diameter	: 25.60 mm
3. Stem height / Thickness	: 2.25 mm / 5.05 mm
4. Frequency	: 4Hz; 28'800 beats per hour
5. Power Reserver	: mini. 42 hours
6. Accuracy	: -5 /+20 sec per day
7. Jewels	: 21
8. Shock absorbing devices	: 2
9. Amplitude	: T24 mini. 200°
10. Winding / Settings 2 positions	: 1) winding; 2) time setting



Ech. 5:1



CORRECTIONS		Matière et traitement :		Echelle		Nb. P.c.	
No	DECISIONS/DATE	VISA		10:1		1	
01		(batail pied cadran)	K.R	COTES EN MILLIMETRES			
				TOLERANCES EN MICRONS			
DIVERS : Tol.générale $\pm 10$				CAL	DATE	VISA	
				715	07.12.16	K.R	
				PIECE	CONTROLÉ		
				No/PART	No	EXEC	CODEF
				71590HAB	01	71590000	40
Cage pour boite				11 1/2" / $\phi 32$ mm			
Frane for case							
PLAN/DWG				CK/édit			
71590HAB				01			
F E I L S A				Fabrique d'Ebauches Leschat S.A.			