

# FELSA

---

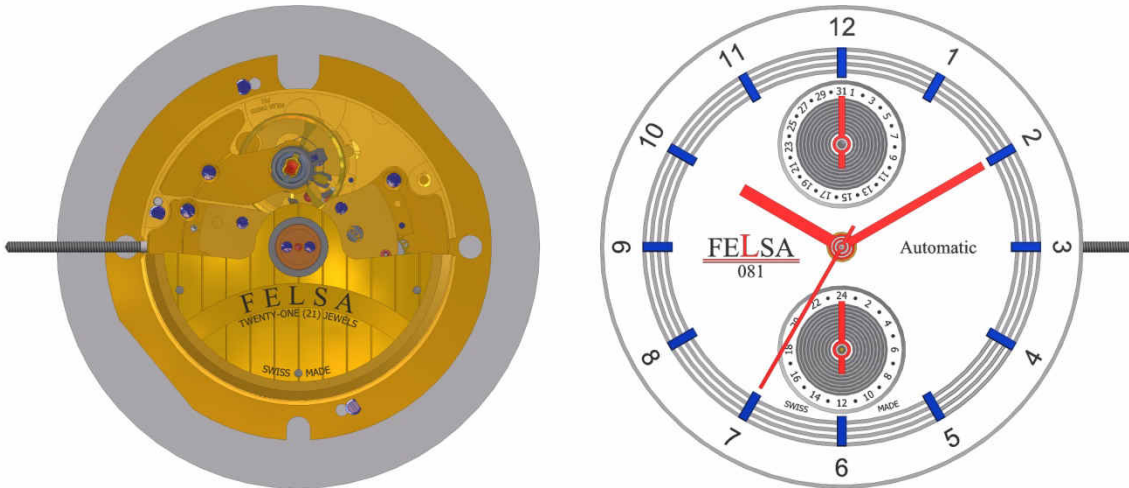
## SWISS S.A.

Fabrique d'Ebauches Leschot S.A.

### **CAL. 715.081**

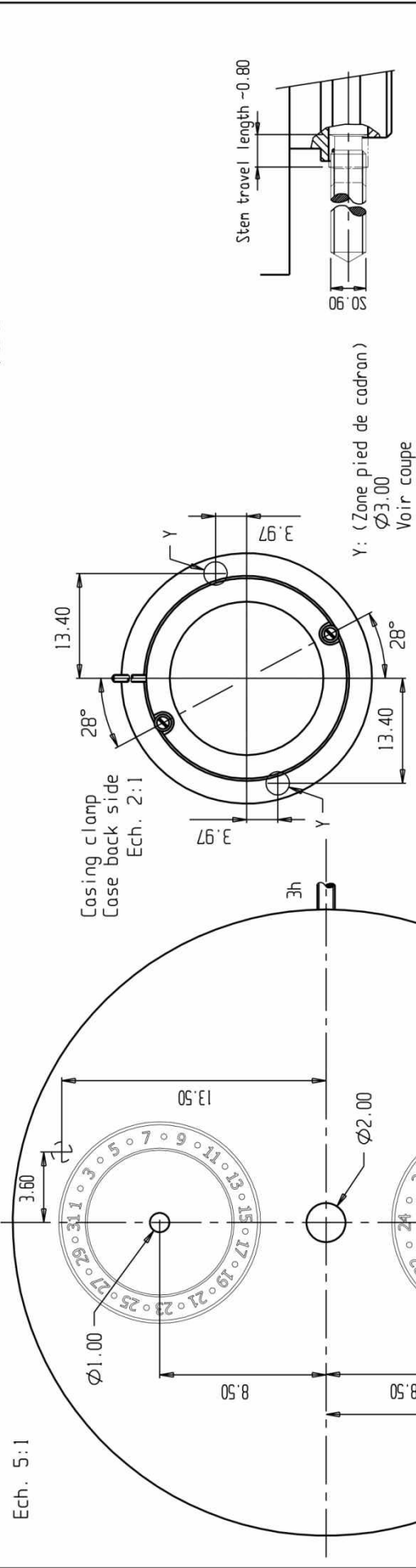
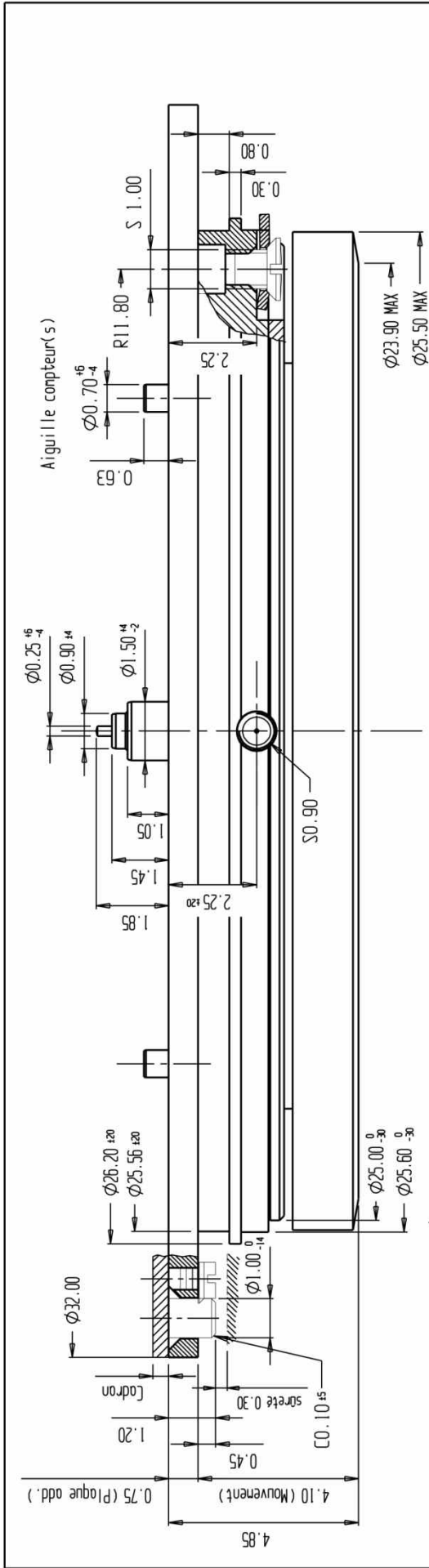
**AUTOMATIC, DATE AND GMT,  
21 JEWELS – SWISS MADE**

**Lever movement, sweep second with self-winding mechanism, jewel bearing,  
date and GMT indicator, frequency 4 Hz  
(28'800 A/h 'vibrations per hour').**



### **TECHNICAL SPECIFICATIONS**

1. Outside Diameter	: 32.00 mm
2. Casing Diameter	: 25.60 mm
3. Stem height / Thickness	: 2.25 mm / 4.85 mm
4. Frequency	: 4Hz; 28'800 beats per hour
5. Power Reserver	: mini. 42 hours
6. Accuracy	: -5 /+20 sec per day
7. Jewels	: 21
8. Shock absorbing devices	: 2
9. Amplitude	: T24 mini. 200°
10. Winding / Settings 2 positions	: 1) winding; 2) time setting



CORRECTIONS		MATIERE ET TRAITEMENT :		ECHELLE	Nb. P.C.
No DECISIONS/DATE	VISA			10:1	1
01	(batail pied cadran)	K.R		COTES EN MILLIMETRES	
				TOLERANCES EN MICRONS	
			DIVERS : Toi générale ± 10	CAL	DATE
				715	07.12.16
				PIECE	CONTROLÉ
				No/PART	No EXEC
				71590000	81
Cage pour boîte Frane for case 11 1/2 mm / Ø32mm					
PLAN/DWG	CK	Edité	F E I L S A		
71590HAB	01		Fabrique d'Ebauches Leschat S.A.		