

FELSA

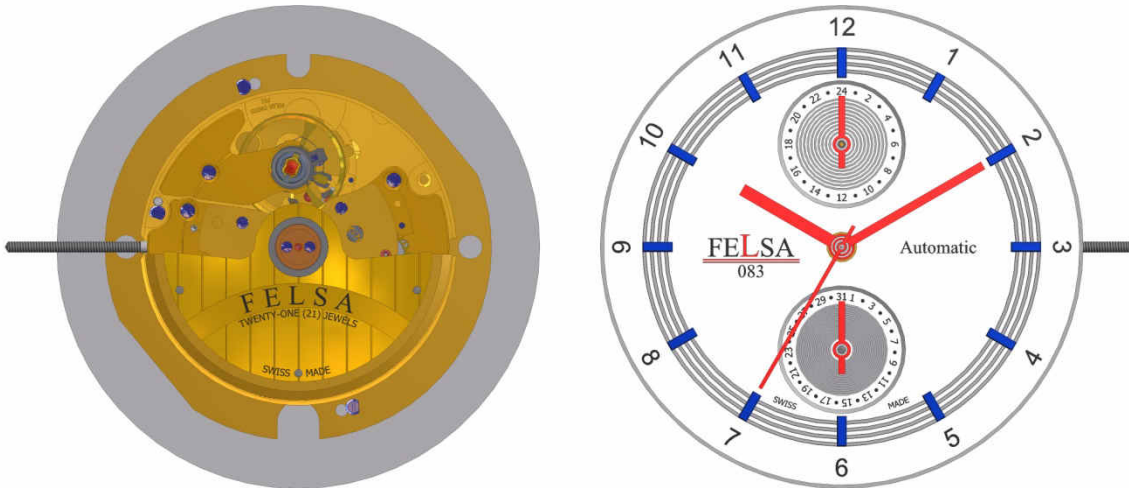
SWISS S.A.

Fabrique d'Ebauches Leschot S.A.

CAL. 715.083

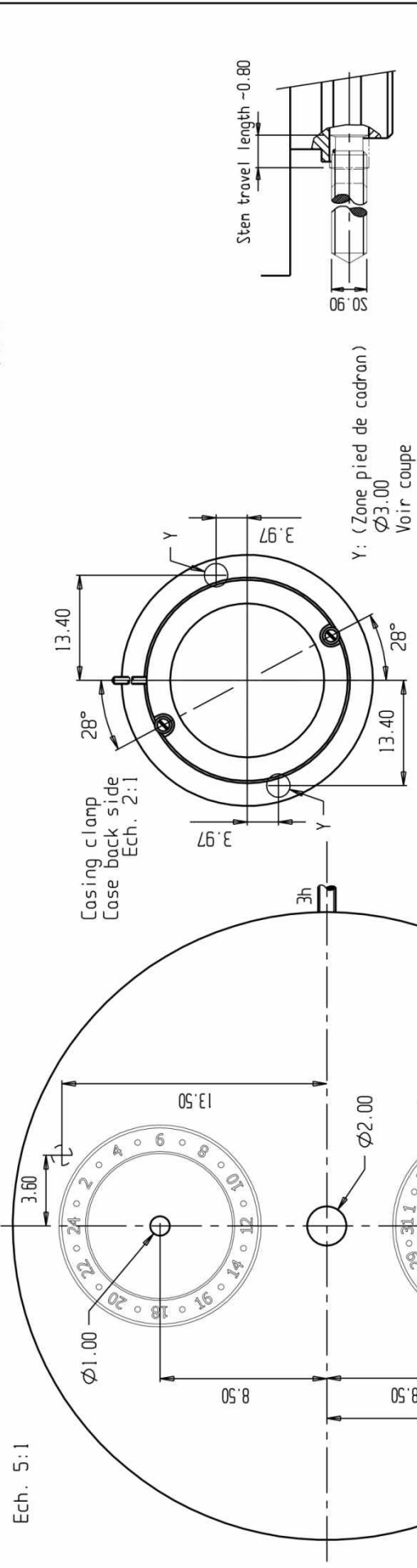
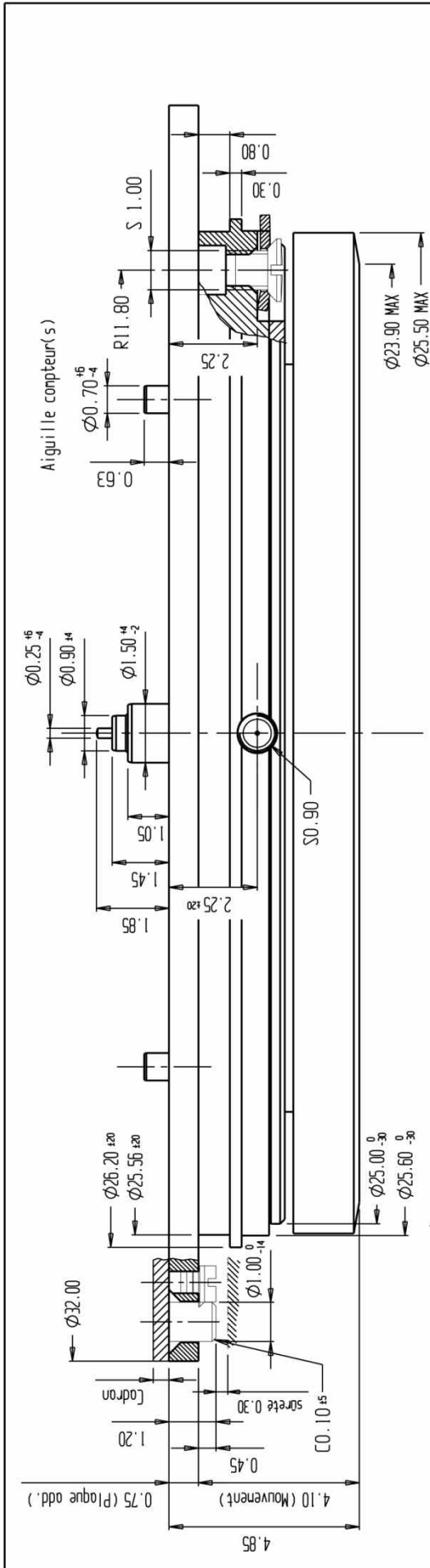
**AUTOMATIC, DATE AND GMT,
21 JEWELS – SWISS MADE**

**Lever movement, sweep second with self-winding mechanism, jewel bearing,
date and GMT indicator, frequency 4 Hz
(28'800 A/h 'vibrations per hour').**



TECHNICAL SPECIFICATIONS

1. Outside Diameter	: 32.00 mm
2. Casing Diameter	: 25.60 mm
3. Stem height / Thickness	: 2.25 mm / 4.85 mm
4. Frequency	: 4Hz; 28'800 beats per hour
5. Power Reserver	: mini. 42 hours
6. Accuracy	: -5 /+20 sec per day
7. Jewels	: 21
8. Shock absorbing devices	: 2
9. Amplitude	: T24 mini. 200°
10. Winding / Settings 2 positions	: 1) winding; 2) time setting



CORRECTIONS		Matière et traitement :		Echelle		Nb. Pc.	
No	DECISIONS/DATE	VISA		10:1		1	
01	(batail pied cadron)	K.R.		COTES EN MILLIMETRES			
				TOLERANCES EN MICRONS			
DIVERS : Tol.générale ± 10				CAL	DATE	VISA	
Cage pour boite 11 1/2" / Ø32mm				715	06.12.16	K.R.	
Frame for case				715			
PLAN/DWG CK/Edité				PIECE	No/PART	No EXEC	CODEF
71590HAB 01				F E I L S A		71590000 83	
Fabrique d'Ebauches Leschat S.A.							